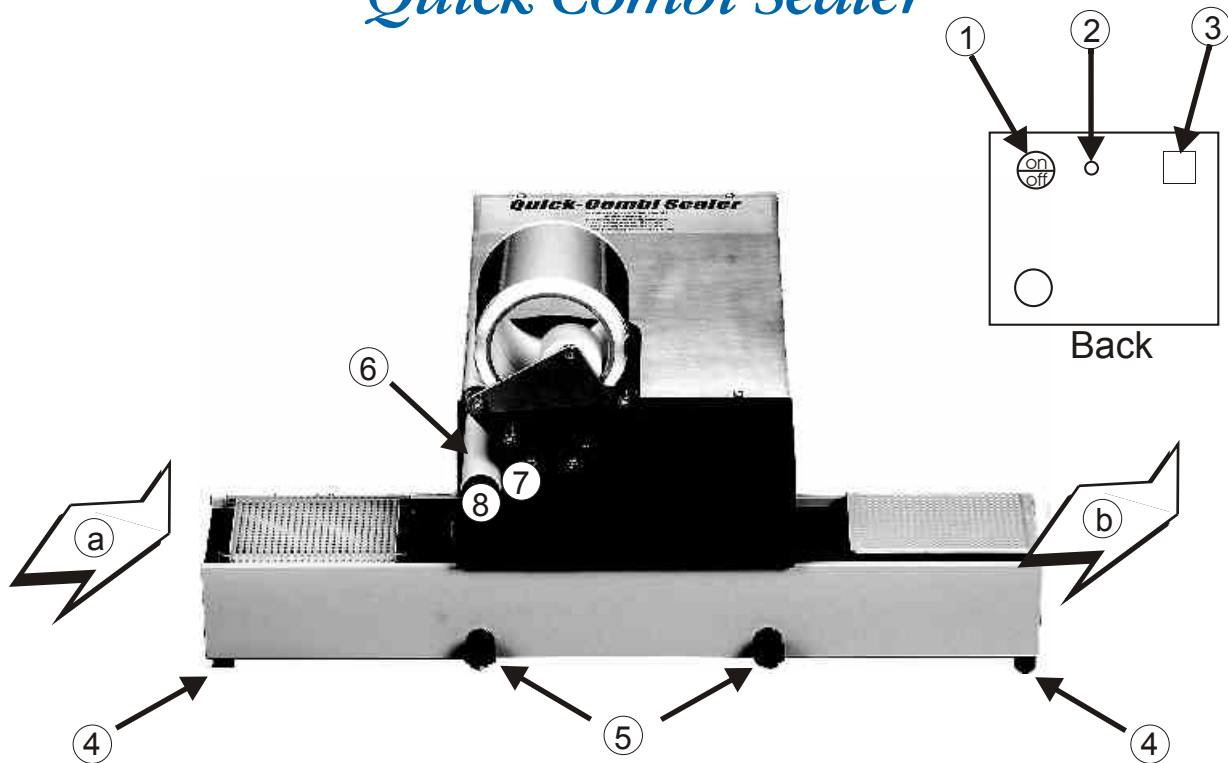


# HJ-BIOANALYTIK

## Mikrotiterplates - Technology

### Manual for "Quick Combi Sealer"



#### 1. Sealing a microtiterplate with foil:

- Turn the main switch ① on.
- After adjusting the guide rail to the appropriate level according to the MTP to be sealed (confer "Adjusting the guide rail") - push the plate into the sealer from the left (a) until the motor starts automatically.
- The plate will self-acting be transported to the right and sealed with foil. The foil will be cut off automatically.
- The plate will be transported to the right side (b) of the unit and is now sealed with foil. You may now take the plate from the guide rail.

#### 2. Sealing a microtiterplate with a 96lid:

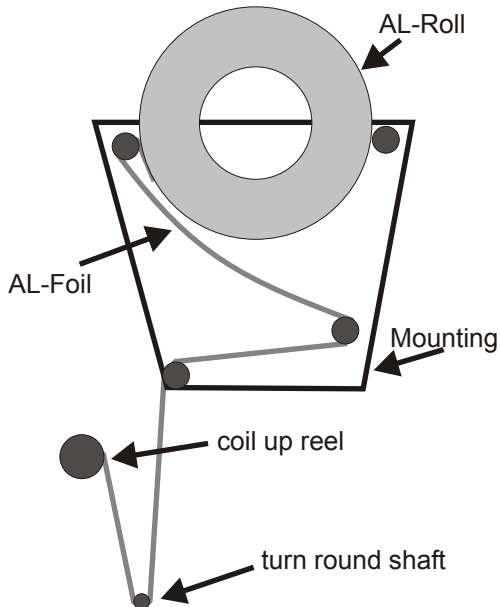
- Take the foil off the mount.
- Turn the main switch ① on.
- After adjusting the guide rail to the appropriate level according to the MTP to be sealed (confer "Adjusting the guide rail") - put the plate on the guide rail on the left side of the unit.
- Put a 96lid on the plate (if necessary press 1-2 naps of the lid easily into the wells). Push plate and lid from left (a) into the sealer until the motor starts automatically.
- The plate will self-acting be transported to the right and sealed with the 96lid.
- The plate will be transported to the right side (b) of the unit and is now sealed with the 96lid. You may now take the plate from the guide rail.

see over!

### 3. Adjusting the guide rail

- Spray some lubricant onto the black side of the guide rail. Use the included lubricant (Part.No.200950) and wipe over smoothly with a Kleenex.
- Attach the guide rail to the unit by turning the clamping bolt 2-3 rotations. The guide rail must remain movable up and down.
- Put the MTP that you want to seal onto the guide rail. Move the plate to the left to the black slab below the small roll ⑥.
- Screw the positioning pillars ④ up or down until the MTP may be slid easily under the black slap.
- Tighten the clamping bolts ⑤.
- The "Quick Combi Sealer" is ready to use now.

### 4. Installation of the foil roll:



#### The charting shows the run of the foil within the unit

- Move the bracket ⑦ towards the unit and cant the black slab of the bracket to the left.
- Run the complete foil down according to the process diagram. Cant back the black plate and move the brackets forward.
- Separate the aluminium foil from the carrier paper (move foil to the right) - and run the carrier paper onto the coil up reel ⑥ according to the charting. Use an adhesive strip to adhere the top of the carrier paper to the coil up reel. Turn the carrier paper 2-3 times around the coil up reel. Do NOT turn the regulating screw of the centrifugal clutch ⑧. The clutch is adjusted by the manufacturer.
- Cut off the overlapping aluminium foil and test with a sample plate.

### 5. Maintenance hints

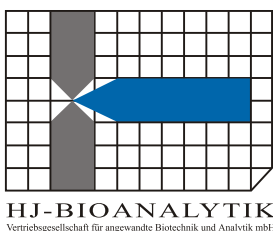
Spray some lubricant onto the guide rail regularly (after 300 - 400 plates) or after a longer period in which the unit has not been used. Use the included lubricant (Part.No.200950) and wipe over smoothly with a Kleenex.

In other respects the "Quick Combi Sealer" is maintenance-free.

### 6. Error hints

- Gear with strong magnetizing force standing to the sealer may interfere with the microprocessor of the unit. In case of a malfunction please push the reset button ③.
- If the automatic knife that cuts the foil does not return to its home position (unit does not start anymore), please use a thin pipetting tip and put it into the hole ② on the units backside. Keep it in there for 3 - 4 seconds to reset the position of the knife.
- If the plate is not moved to the right side of the unit, the guide rail might be misadjusted or the cutting knife is tight. In this case you switch off the main switch. Release the clamping bolts ⑤ of the guide rail and take the rail off. The plate sticks onto the foil and may be taken out of the unit. Cut off the aluminium foil and retry with a sample plate.

**In the unlikely case of facing any difficulties or if you are in need of any further information, do not hesitate to contact us.**



## HJ-BIOANALYTIK

Vertriebsgesellschaft für angewandte Biotechnik und Analytik mbH

Göckelsweg 1

D-41068 Mönchengladbach

Telefon: (+49) 02161 / 53 17 64

Telefax: (+49) 02161 / 53 17 64

Internet: [www.hj-bioanalytik.de](http://www.hj-bioanalytik.de)